

**Application :**

For use under most climatic conditions & generally for un-armoured cables & outdoor use. These are Weather proof and may be used in the corrosive condition when protected by a shroud.

**Technical Data**

**Materials & Finishes :**

**M. O. C :**

- a. Cable Gland is manufactured in Brass (standard).
- b. Alternative material - Stainless Steel / Aluminium.

**Sealing Ring :** Neoprene Rubber

**Thread :**

- a. Glands are supplied with B.S.C. thread (ET) as standard.
- b. Alternative thread forms available are - NPT / PG / BSP / MM etc.

**Finish :**

- a. Nickel Plated (standard)
- b. Alternative Plating - Tin / Cadmium / Chrome

**Protection Class:** IP 55 as per IEC 60529:1999

**Ref. Standard :** BS 6121 : 2005 (BS EN 50262)

**Accessories**

Shrouds and Earth tags are supplied separately and should be specified when ordering the gland.

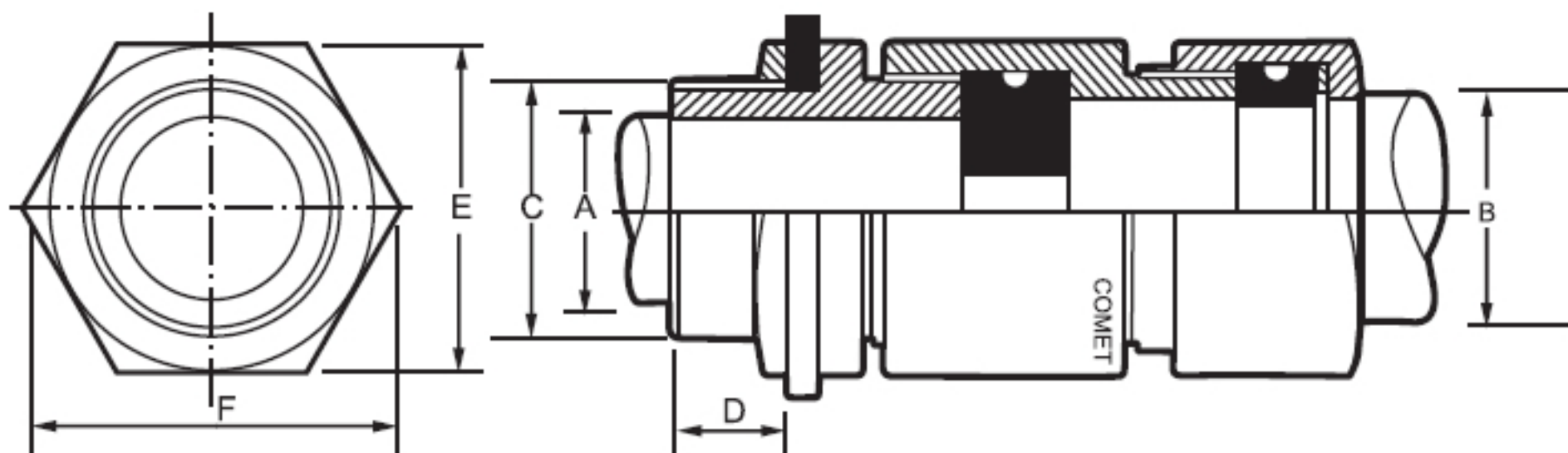
**Specification :**

Gland consist of locknut 1, washer 2, armour clamping nut 3, neoprene inner ring 4, gland body 5, neoprene outer ring 6, skid washer 7 & outer seal nut 8. All metal parts are made of brass accurately machined for ease of assembly.

**Fitting sequence**

- 1) Pass item 8,7,6,5,4 & 3 respectively over cable.
- 2) Engage item 5 and 3 and tighten up.
- 3) Engage item 8 and 5 and tighten up.
- 4) Screw item 3, 2 into apparatus (secure with item 1 if plain hole entry.)

# COMET Weatherproof Type Double Compression Cable Gland Suitable For Un-Armoured Cables



Cable Dimensions			Gland Dimensions			
CBW SERIES	A (Dia) mm	B (Dia) mm	Entry Thread		E (Across Flat) mm	F (Across Corner) mm
			C (Inches)	D (Length) mm		
CBW01SS (UN)	13.0	13.0	3/4"	15.0	21.5	24.5
CBW01S (UN)	14.5	14.5	3/4"	15.0	25.0	29.0
CBW01A (UN)	18.0	18.0	1"	15.0	28.0	32.0
CBW02 (UN)	20.0	20.0	1"	15.0	31.5	36.5
CBW03SP (UN)	23.0	23.0	M28	15.0	32.0	37.0
CBW04A (UN)	26.0	26.0	1.1/4"	15.0	38.0	44.0
CBW05A (UN)	30.0	30.0	1.1/2"	15.0	41.0	47.0
CBW06SP (UN)	33.0	33.0	M40	15.0	47.0	54.0
CBW07SP (UN)	36.0	36.0	M42	15.0	52.0	58.0
CBW08 (UN)	41.0	41.0	2"	15.0	56.0	64.0
CBW09 (UN)	44.0	44.0	2"	15.0	59.0	67.0
CBW010A (UN)	52.0	52.0	2"	20.0	66.5	77.0
CBW011SP (UN)	60.0	60.0	M70	20.0	80.0	92.0
CBW012 (UN)	66.0	66.0	3"	20.0	85.0	97.0
CBW013 (UN)	72.0	72.0	3.1/4"	20.0	90.0	103.0
CBW014 (UN)	80.0	80.0	3.1/2"	20.0	105.0	122.0
CBW015 (UN)	90.0	90.0	4"	20.0	117.0	135.0